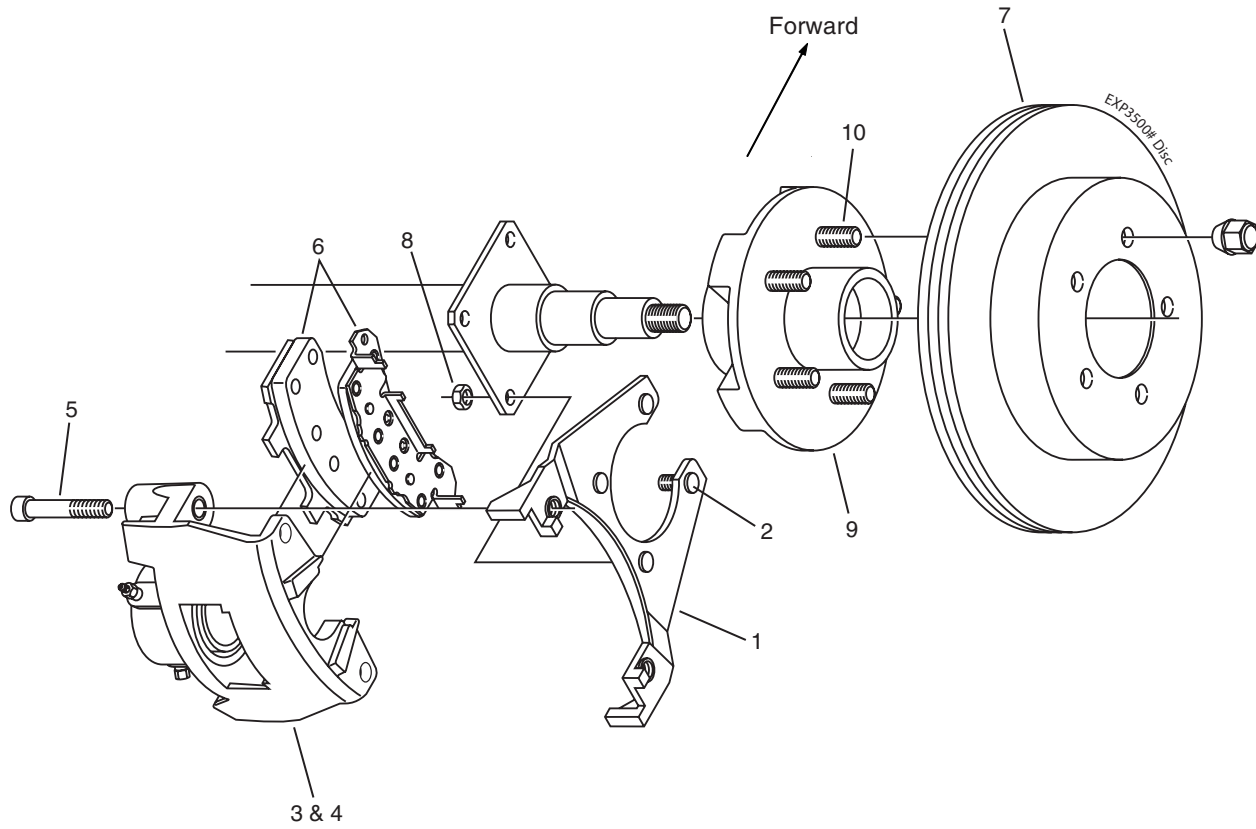


# DISC BRAKE FOR 3,500 LB. AXLES

2300 - 3500 LBS. CAPACITY



## DISC BRAKE 3500#

Item	Part No.	Qty/Brk	Description
1	090-004-01	1	Anchor Yoke Assembly (incl. item #2)
2	007-041-00	4	Brake Mounting Bolt - Press-in
3	K71-624-00	1	LH Caliper Assembly Kit (incl. items #5, 6)
4	K71-625-00	1	RH Caliper Assembly Kit (incl. items #5, 6) (shown)
5	007-256-00	2	Caliper Mounting Bolt
6	K71-623-00	1	Brake Pad Kit (axle set)
7	K71-626-00	1	Rotor Kit
8	006-017-00	4	Yoke Mounting Nut
ns	054-097-00	1	Bleed Screw & Adapter (service part only)

## DISC BRAKE HUBS & STUDS

Item	Part No.	Qty/Brk	Description
9	008-248-22	1	1/2" Stud 5 on 4.50
10	007-150-00	5	1/2-20 x 2.09" Wheel Stud
ns	054-095-00	1	Bleeder Screw (included with items #3, 4)

ns - not shown

DEXTER AXLE